

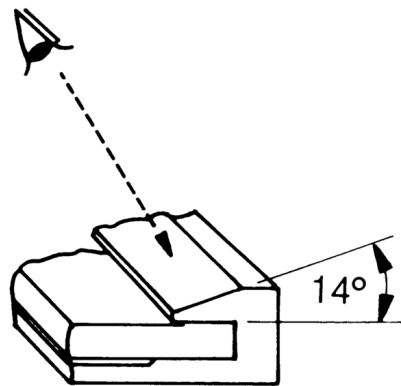


Vernier caliper

Article number: 530-101



Pictures



L: 229mm _
a: 40mm _
b: 21mm _
c: 17mm _
d: 16mm _



L: 229mm _
a: 40mm _
b: 21mm _
c: 17mm _
d: 16mm _

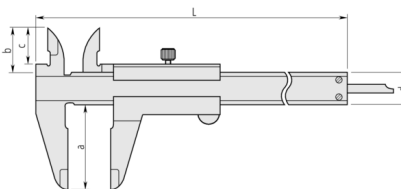
Description

A Mitutoyo caliper with standard jaws for outside and inside measurement made of hardened steel with raised guideways for easy reading and satin chrome scale.

specifications

With locking screw on top:	Yes
Measuring range:	0 - 150mm
Depth Gauge:	flat
Limit of measurement error E MPE:	±0.05mm
Limit value of the measurement deviation S MPE:	±0.07mm
Scope of delivery:	Delivery in a box
Weight:	143g _

Dimensions



L: 229mm _
a: 40mm _
b: 21mm _
c: 17mm _
d: 16mm _

Accessories

Standard accessories:



**Depth measuring bridge for vernier calipers, 75 mm wide
75 mm width for 100, 150, 200 mm measuring range**

050083-10
RRP: € 58.00 *



**Depth measuring bridge for vernier calipers
100 mm width for 100, 150, 200 mm measuring range**

050084-10
RRP: € 65.00 *