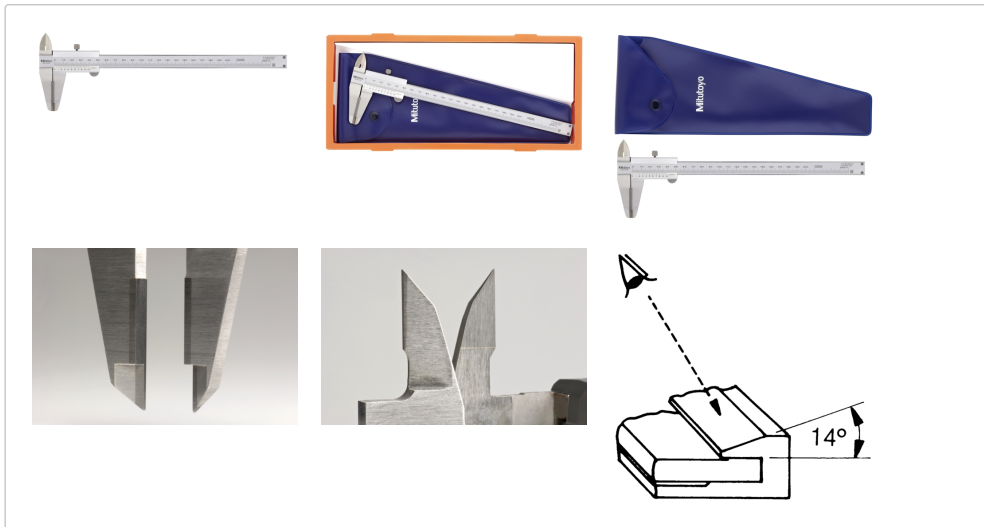




Vernier Caliper, Carbide Jaw Outs. Item number: 530-321



Images



a: 50 mm
b: 24.5 mm
c: 20.5 mm
d: 16 mm



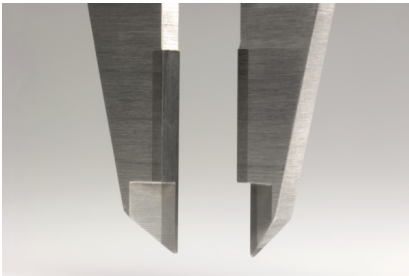
a: 50 mm
b: 24.5 mm
c: 20.5 mm
d: 16 mm



a: 50 mm
b: 24.5 mm
c: 20.5 mm
d: 16 mm



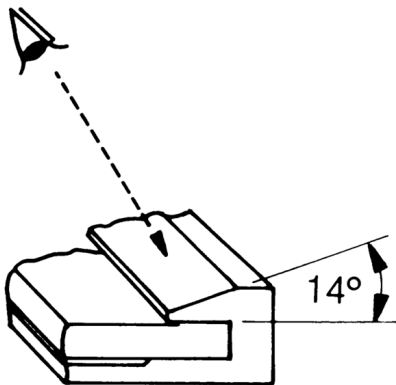
a: 50 mm
b: 24.5 mm
c: 20.5 mm
d: 16 mm



a: 50 mm
b: 24.5 mm
c: 20.5 mm
d: 16 mm



a: 50 mm
b: 24.5 mm
c: 20.5 mm
d: 16 mm



Description

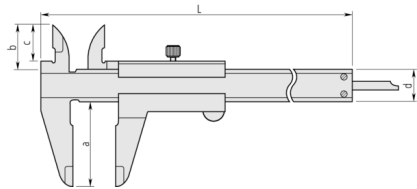
These Vernier Calipers have carbide-tipped jaws and offers you the following benefits:

- Main scale and vernier scale satin chrome finish gives you high readability.
- Raised sliding surfaces.

Features

Depth bar:	flat
Max. Permissible Error E MPE:	±0,05 mm
Max. Permissible Error S MPE:	±0,07 mm
Delivered:	In a case
Mass:	181 g

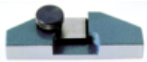
Dimensions



a:	50 mm
b:	24.5 mm
c:	20.5 mm
d:	16 mm

Accessories

Standard accessories:



Depth Base Attachment for Caliper, 75mm width
75mm width for 100, 150, 200mm Range
050083-10

Suggested retail price: **58,00 €***



Depth Base Attachment for Caliper
100mm width for 100, 150, 200mm Range
050084-10

Suggested retail price: **65,00 €***