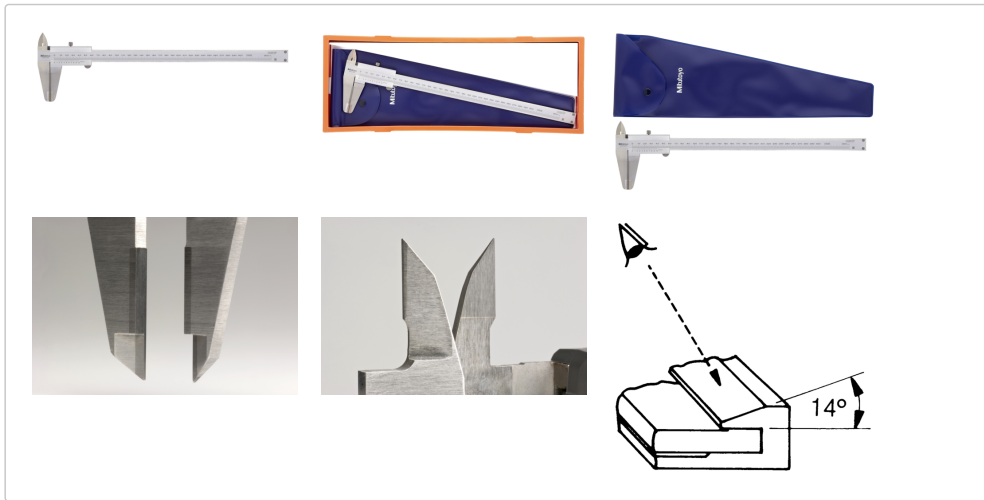




Vernier caliper, HM external measuring faces

Article number: 530-322



Pictures



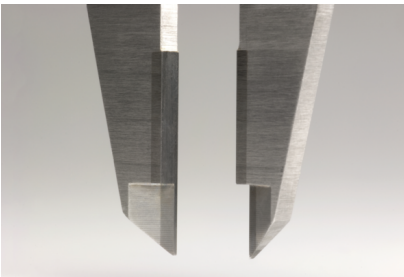
a: **64mm** _
 b: **27.5mm** _
 c: **22mm** _
 d: **20mm** _



a: **64mm** _
 b: **27.5mm** _
 c: **22mm** _
 d: **20mm** _



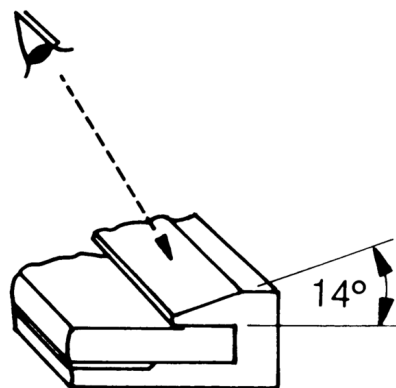
a: **64mm** _
 b: **27.5mm** _
 c: **22mm** _
 d: **20mm** _



a: **64mm** _
 b: **27.5mm** _
 c: **22mm** _
 d: **20mm** _



a: **64mm** _
 b: **27.5mm** _
 c: **22mm** _
 d: **20mm** _



a: **64mm** _
 b: **27.5mm** _
 c: **22mm** _
 d: **20mm** _

Description

A Mitutoyo caliper with standard jaws for outside and inside measurement made of hardened steel with raised guideways for easy reading and satin chrome scale.

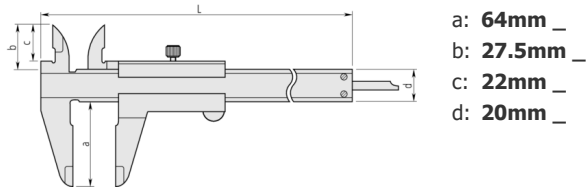
specifications

Depth Gauge:

flat

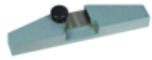
Limit of measurement error E MPE:	±0.08mm
Limit value of the measurement deviation S MPE:	±0.10mm
Scope of delivery:	Delivery in a box
Weight:	355g _

Dimensions



Accessories

Recommended product:



Depth measuring bridge for vernier calipers
125 mm width for 300 mm measuring range
050085-10
RRP: € 72.00 *