

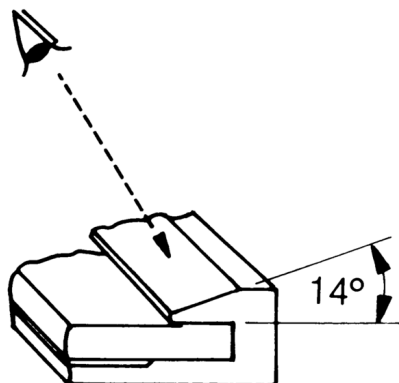


Vernier Caliper

Item number: 530-501



Images



L: **780 mm**
a: **90 mm**
b: **47 mm**
c: **38 mm**
d: **25 mm**



L: **780 mm**
a: **90 mm**
b: **47 mm**
c: **38 mm**
d: **25 mm**

Description

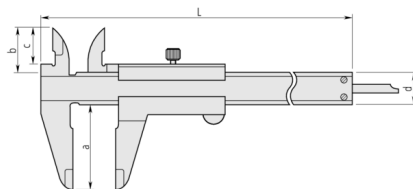
This is a standard type of vernier caliper that offers you the following benefits:

- Main scale and vernier scale satin chrome finish gives you high readability.
- Raised sliding surfaces

Features

With upper locking screw:	Yes
Range:	0 - 600 mm
Depth bar:	without
Max. Permissible Error E MPE:	±0,1 mm
Max. Permissible Error S MPE:	±0,12 mm
Delivered:	In a box
Mass:	1300 g

Dimensions



L: **780 mm**
a: **90 mm**
b: **47 mm**
c: **38 mm**
d: **25 mm**

Accessories

Optional accessories:



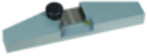
**Depth Base Attachment for Caliper, 75mm width
75mm width for 100, 150, 200mm Range
050083-10**

Suggested retail price: **58.00 €***



**Depth Base Attachment for Caliper
100mm width for 100, 150, 200mm Range
050084-10**

Suggested retail price: **65.00 €***



**Depth Base Attachment for Caliper
125mm width for 300mm Range
050085-10**

Suggested retail price: **72.00 €***