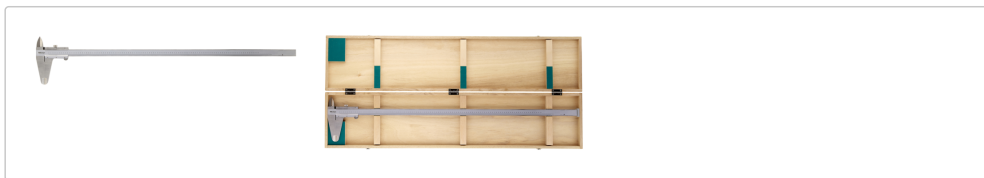


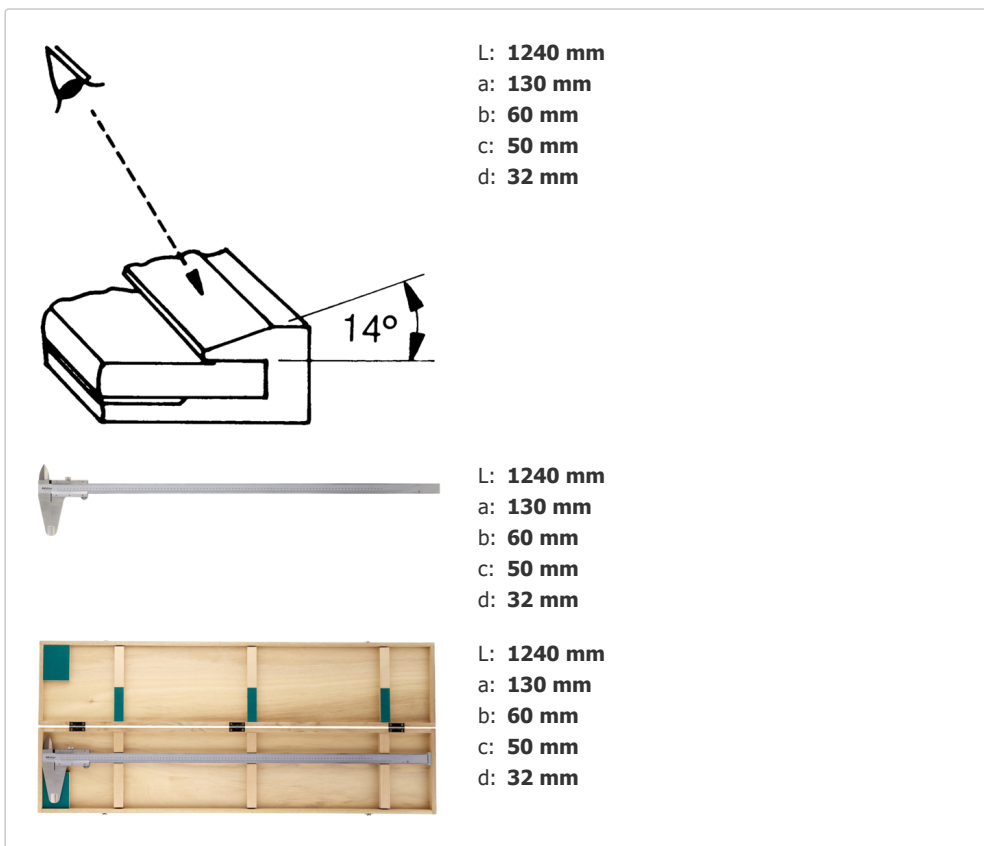
Mitutoyo

Vernier Caliper

Item number: 530-502



Images



Description

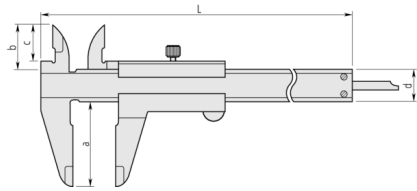
This is a standard type of vernier caliper that offers you the following benefits:

- Main scale and vernier scale satin chrome finish gives you high readability.
- Raised sliding surfaces

Features

With upper locking screw:	Yes
Range:	0 - 1000 mm
Depth bar:	without
Max. Permissible Error E MPE:	±0,15 mm
Max. Permissible Error S MPE:	±0,17 mm
Delivered:	In a box
Mass:	3300 g

Dimensions



L: 1240 mm
a: 130 mm
b: 60 mm
c: 50 mm
d: 32 mm

Accessories

Optional accessories:



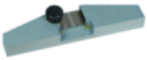
Depth Base Attachment for Caliper, 75mm width
75mm width for 100, 150, 200mm Range
050083-10

Suggested retail price: **58.00 €***



Depth Base Attachment for Caliper
100mm width for 100, 150, 200mm Range
050084-10

Suggested retail price: **65.00 €***



Depth Base Attachment for Caliper
125mm width for 300mm Range
050085-10

Suggested retail price: **72.00 €***