

Mitutoyo

Digital ABS calipers with pointed measuring jaws

Article number: 573-625-20



Pictures



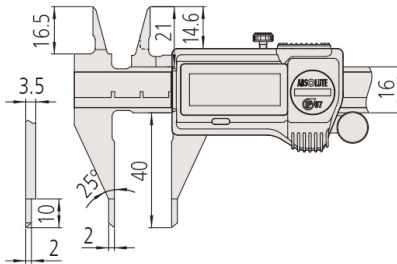
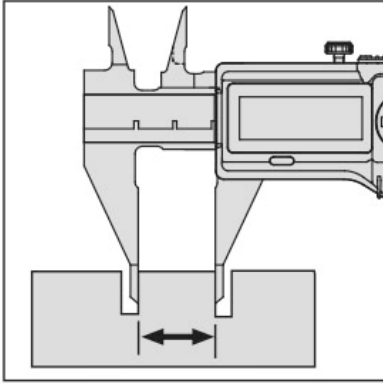
Description

Tip vernier caliper with depth gauge

specifications

Drive roller:	Yes
Limit of measurement error E MPE:	±0.02mm
Limit value of the measurement deviation S MPE:	±0.04mm
Max. reaction speed:	Unlimited
ORIGIN (ABS zero point):	Yes
Automobile. Shutdown after 20 minutes without function:	Yes
Low voltage alarm:	Yes
Data output:	Yes
Features:	Vernier calipers with tips (dot)
Battery life:	Approx. 5 years with normal use
Weight:	163g _

Dimensions



Accessories

Standard accessories:



Depth measuring bridge for vernier calipers, 75 mm wide
75 mm width for 100, 150, 200 mm measuring range
050083-10
 RRP: € 58.00 *



Depth measuring bridge for vernier calipers
100 mm width for 100, 150, 200 mm measuring range
050084-10
 RRP: € 65.00 *

spare Parts

Consumables:



Battery SR-44 1.5V
938882