

## Mini1 Mini1 Smartphone Module



The Smartphone Module is designed to inspect electrical equipment, troubleshooting HVAC problems. Equipped with functional thermal App for smartphone, the Smartphone Module enables you to get the thermal imaging on your phone.

### Key Feature

- Thermal resolution: 160 × 120 (19,200 pixels)
- NETD : < 40 mK (@ 25°C,F#=1.0)
- Accuracy ± 2°C (20°C to 100°C) ; ±2% (100°C to 350°C)
- USB Type-C Interface (Android)
- 26 g Weight

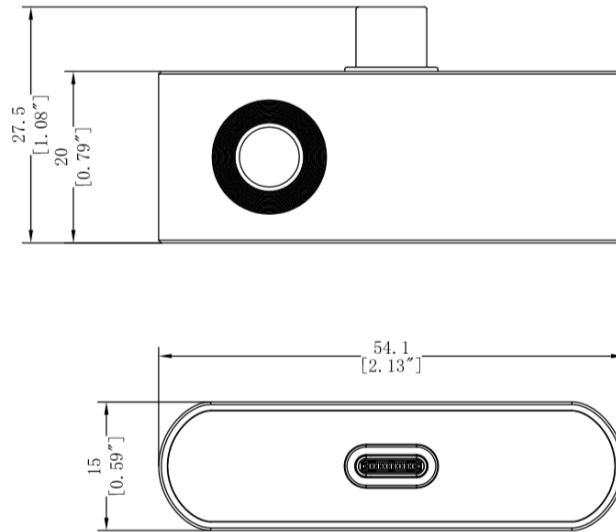
## ▪ Specification

| <b>Infrared Image</b>           |  |
|---------------------------------|--|
| IR Resolution                   | 160 × 120 (19,200 pixels)  |
| NETD                            | < 40 mK (@ 25°C, F#=1.0)   |
| Image Frequency                 | 25 Hz  |
| Detector Pitch                  | 17 μm  |
| Spectral Range                  | 7.5 to 14 μm   |
| Focal Length                    | 3.2 mm   |
| F-number                        | F1.1   |
| Field of View (FOV)             | 50° × 38°  |
| Min. Focus Distance             | 0.2 m (0.65 ft)  |
| Focus Mode                      | Focus Free   |
| <b>Image Display</b>            |  |
| Color Palettes                  | White Hot, Black Hot, Rainbow, Ironbow, Sepia, Color, Ice Fire, Rain, Red Hot, Green Hot, Dark Blue, Combined  |
| Image Modes                     | Thermal/Fusion   |
| <b>Measurement and Analysis</b> |  |
| Object Temperature Range        | -20°C to 350°C(-4°F to 662°F )   |
| Accuracy                        | Max (±2°C/3.6°F, ±2%), applicable 60 sec after start-up when the ambient temperature 15°C to 35°C (59°F to 95°F) and object temperature above 0°C (32°F) |
| Measurement Tools               | Center Spot, Hot Spot, Cold Spot<br>User-definable: 3 spots, and 3 rectangles.   |
| Level and Span Mode             | Auto/Manual  |
| <b>General</b>                  |  |
| Power Consumption               | 300 mW   |
| Protection Level                | IP40   |
| Drop Test Height                | 1 m (3.28 ft)  |
| Working Temperature Range       | 15°C to 35°C (59°F to 95°F )   |
| Storage Temperature Range       | -20°C to 60°C (-4°F to 140°F )   |
| Weight                          | Approx. 26 g (0.057 lb)  |
| Dimension                       | 54.1 × 15 × 27.5 mm (2.13 × 0.59 × 1.08 in)  |

## ▪ Available Model

Mini1

## ▪ Dimension



Unit:mm[Inch]

COMPLIANCE NOTICE: The thermal series products might be subject to export controls in various countries or regions, including without limitation, the United States, European Union, United Kingdom and/or other member countries of the Wassenaar Arrangement. Please consult your professional legal or compliance expert or local government authorities for any necessary export license requirements if you intend to transfer, export, re-export the thermal series products between different countries.

