

Mini Smartphone Module



The smartphone module helps you to measure skin-surface temperature, inspect electrical equipment, troubleshooting HVAC problems, look for subjects in darkness. Within 5°C to 100°C temperature measurement range, it covers most natural scenarios. Equipped with functional thermal App for smartphone, the Smartphone Module enables you to see a different world just by one plug.

Key Feature

- Thermal resolution: 160 × 120 (19,200 pixels)
- NETD : < 40 mK (@ 25°C, F#=1.0)
- Accuracy ± 0.5°C (30°C to 45°C) ; ±2°C (5°C to 30°C, 45°C to 100°C)
- USB Type-C Interface (Android)
- 26 g Weight

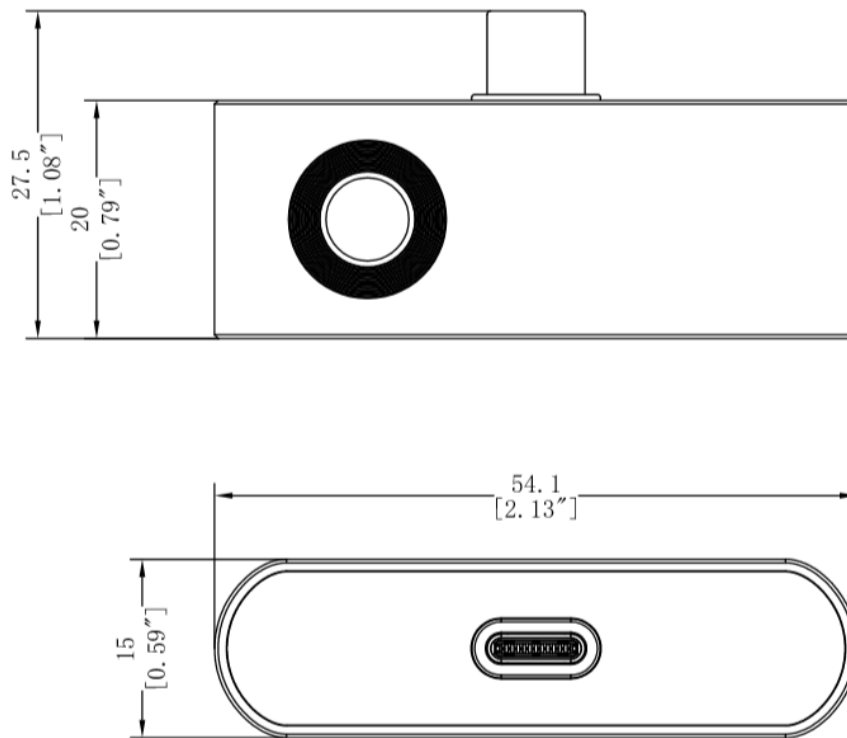
▪ Specification

Infrared Image	
IR Resolution	160 × 120 (19,200 pixels)
NETD	< 40 mK (@ 25°C, F#=1.0)
Image Frequency	25 Hz
Detector Pitch	17 μm
Spectral Range	7.5 to 14 μm
Focal Length	3.2 mm
F-number	F1.1
Field of View (FOV)	50° × 38°
Min. Focus Distance	0.2 m (0.65 ft)
Focus Mode	Focus Free
Image Display	
Color Palettes	White Hot, Black Hot, Combined1, Rainbow, Combined 2, Ironbow 1, Ironbow 2, Sepia, Color 1, Color 2, Ice Fire, Rain, Red Hot, Green Hot, Dark Blue
Image Modes	Thermal/Fusion
Measurement and Analysis	
Object Temperature Range	5°C to 100°C (41°F to 212°F)
Accuracy	±0.5°C (0.9°F), for object temperature 30°C to 45°C (86°F to 113°F); ±2°C (3.6°F), for object temperature 5°C to 30°C (41°F to 86°F) and 45°C to 100°C (113°F to 212°F). Applicable 60 sec after start-up when the ambient temperature 15°C to 35°C (59°F to 95°F)
Measurement Tools	Center Spot, Hot Spot, Cold Spot User-definable: 3 spots, and 3 rectangles.
Level and Span Mode	Auto/Manual
General	
Power Consumption	300 mW
Protection Level	IP40
Drop Test Height	1 m (3.28 ft)
Working Temperature Range	15°C to 35°C (59°F to 95°F)
Storage Temperature Range	-20°C to 60°C (-4°F to 140°F)
Weight	Approx. 26 g (0.057 lb)
Dimension	54.1 × 15 × 27.5 mm (2.13 × 0.59 × 1.08 in)

▪ Available Model

Mini

▪ Dimension



Unit: mm [Inch]

COMPLIANCE NOTICE: The thermal series products might be subject to export controls in various countries or regions, including without limitation, the United States, European Union, United Kingdom and/or other member countries of the Wassenaar Arrangement. Please consult your professional legal or compliance expert or local government authorities for any necessary export license requirements if you intend to transfer, export, re-export the thermal series products between different countries.

