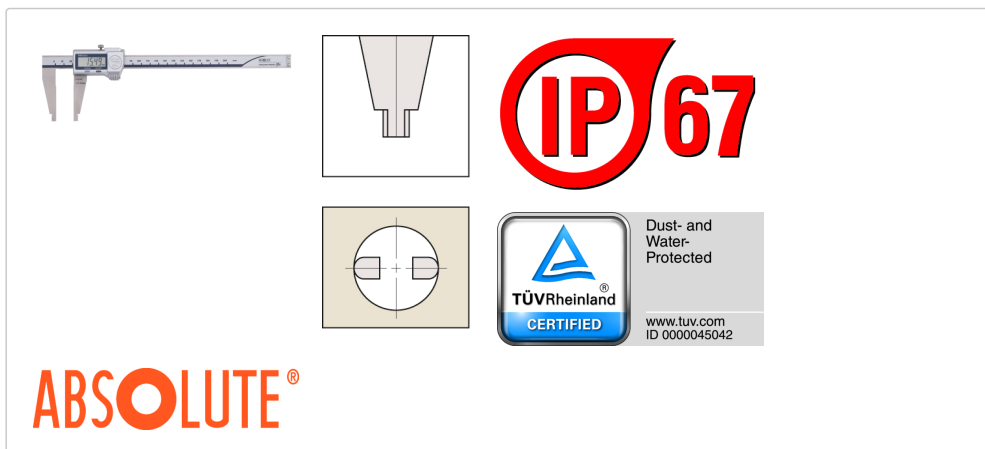


# Mitutoyo

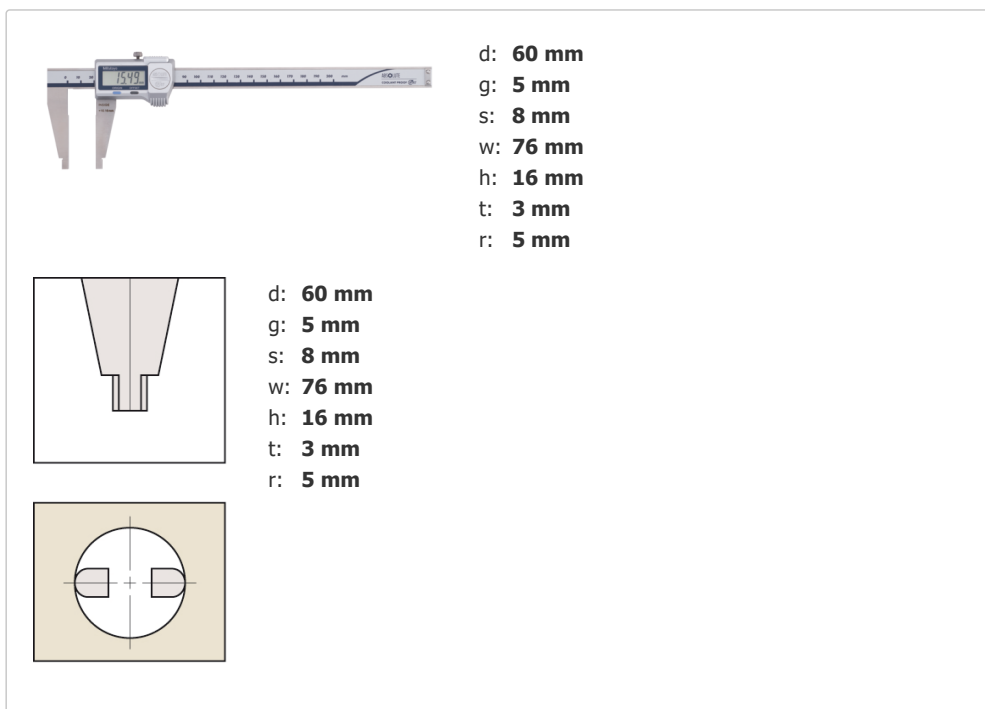
## Digital ABS Caliper, Nib Style Jaws

### IP67

Item number: 550-301-20



### Images



### Description

This is a Digimatic caliper with nib-style jaws that lets you measure inside dimensions. It offers you the following benefits:

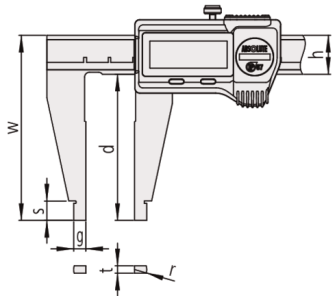
- Rounded measuring surfaces enable you to measure inside dimensions.
- ABSOLUTE System delivers reliable measurements.

### Features

Digital/Analog:	<b>Digital</b>
Inch-Metric:	<b>Metric</b>
Range:	<b>0 - 200 mm</b>
Inside measuring from:	<b>10.1 mm</b>
Max. Permissible Error E MPE:	<b>±0.03 mm</b>
Max. Permissible Error S MPE:	<b>±0.03 mm</b>

Mass:	<b>180 g</b>
Digital step:	<b>0.01 mm</b>
Max. response speed:	<b>Unlimited</b>
Remarks:	<b>IP67</b>
Delivered:	<b>In a case, including 1 SR-44 battery</b>
OFFSET:	<b>10 mm (IP67 type only)</b>
Battery life:	<b>Approx. 5 years under normal use</b>
ORIGIN (ABS-Zero):	<b>Yes</b>
Auto Power OFF after 20 min. non use:	<b>Yes</b>
Low voltage alarm:	<b>Yes</b>
Data output:	<b>Yes</b>

## Dimensions



d:	<b>60 mm</b>
g:	<b>5 mm</b>
s:	<b>8 mm</b>
w:	<b>76 mm</b>
h:	<b>16 mm</b>
t:	<b>3 mm</b>
r:	<b>5 mm</b>

## Accessories

### Optional accessories:



#### Digimatic Cable with Data Button IP Type 1m, Caliper Type

**05CZA624**

Suggested retail price: **98.00 €\***



#### Digimatic Cable with Data Button IP Type 2m, Caliper Type

**05cza625**

Suggested retail price: **104.00 €\***



#### USB Input Tool Direct (Digimatic USB) Digi/Digi2, With Data Button IP Caliper Type

**06AFM380A**

Suggested retail price: **138.00 €\***



#### U-WAVE fit, IP67 Type Wireless Transmitter for Caliper

**264-620**

Suggested retail price: **183.00 €\***



#### U-WAVE fit, Buzzer Type (not IP rated) Wireless Transmitter for Caliper

**264-621**

Suggested retail price: **183.00 €\***



#### U-WAVE fit Bluetooth, IP67 Type Wireless Transmitter for Caliper

**264-624**

Suggested retail price: **181.00 €\***



**U-WAVE fit Bluetooth, Buzzer Type (not IP rated)  
Wireless Transmitter for Caliper**

**264-625**  
Suggested retail price: **181.00 €\***



**Connection Unit, U-WAVE fit  
Waterproof Type**

**02AZF310**  
Suggested retail price: **107.00 €\***

**Spare parts**

**Consumable spares:**



**Battery SR44 1.5V  
938882**