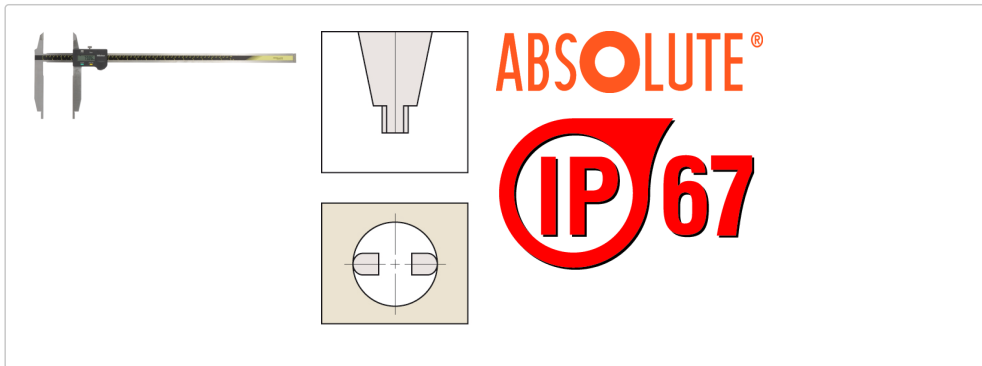


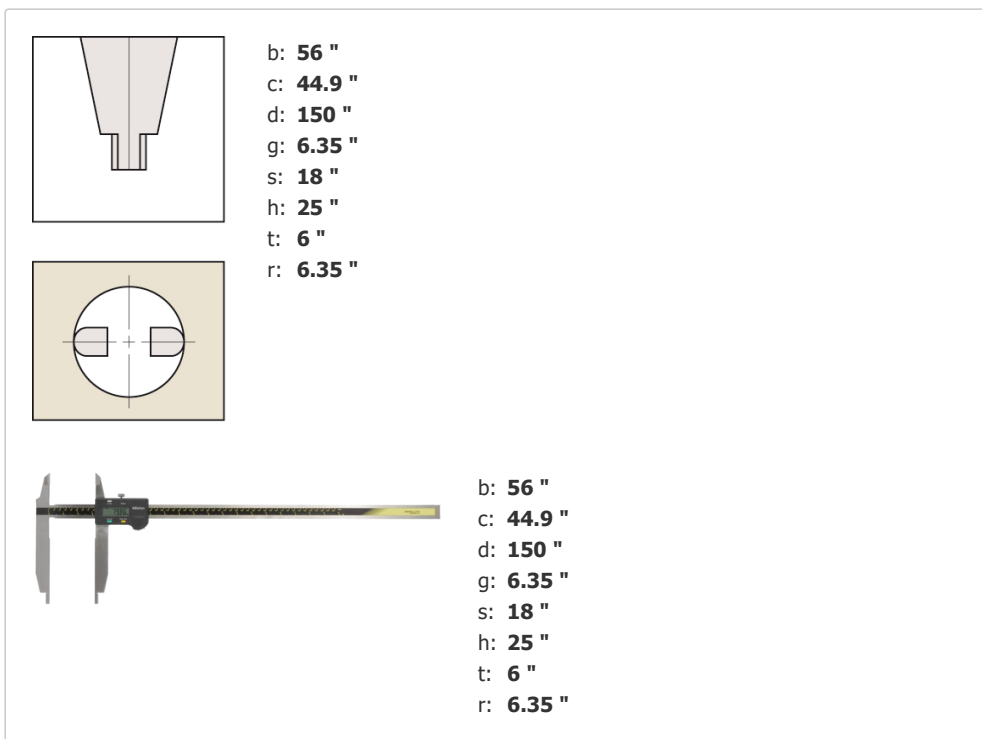


## Digital ABS Caliper Nib Style/Std. Jaws

Item number: 551-224-10



### Images



### Description

This is a Digimatic caliper with nib-style and standard jaws.

It offers you the following benefits:

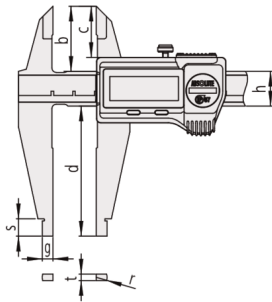
- Knife-shaped measuring surfaces allow you to take outside measurements.
- Rounded measuring surfaces enable you to measure inside dimensions.
- ABSOLUTE System delivers reliable measurements.

### Specification

Digital/Analog:	<b>Digital</b>
Inch-Metric:	<b>Inch/Metric</b>
Range:	<b>0 - 20 "</b>
Inside measuring from:	<b>0.504"/12.8 mm</b>
Max. Permissible Error E MPE:	<b>±0.0025"</b>
Max. Permissible Error S MPE:	<b>±0.0025"</b>
Mass:	<b>1060 g</b>

Digital step:	<b>0,0005"/0,01 mm</b>
Max. response speed:	<b>Unlimited</b>
Display:	<b>LCD, character height 9 mm (200 mm) 11 mm (300 mm) 10 mm (&gt;300 mm)</b>
Delivered:	<b>In a case, including 1 SR-44 battery</b>
OFFSET:	<b>10 mm (IP67 type only)</b>
Battery life:	<b>Approx. 5 years, 3,5 years (&gt;300 mm)</b>
ORIGIN (ABS-Zero):	<b>Yes</b>
ON/OFF:	<b>Yes</b>
Low voltage alarm:	<b>Yes</b>
Data output:	<b>Yes</b>

## Dimensions



b:	<b>56 "</b>
c:	<b>44.9 "</b>
d:	<b>150 "</b>
g:	<b>6.35 "</b>
s:	<b>18 "</b>
h:	<b>25 "</b>
t:	<b>6 "</b>
r:	<b>6.35 "</b>

## Accessories

### Optional accessories:



**Digimatic Cable, Straight, Data Button,  
1m**  
**959149**  
List Price  
**£49.32 inc. VAT**  
**£41.10 ex. VAT**



**Digimatic Cable, Straight, Data Button,  
2m**  
**959150**  
List Price  
**£56.16 inc. VAT**  
**£46.80 ex. VAT**



**USB Input Tool Direct (Digimatic USB)  
Digi/Digi2, Straight, with Data Button**  
**06AFM380C**  
List Price  
**£159.60 inc. VAT**  
**£133.00 ex. VAT**



**U-WAVE-T, Buzzer Type  
Wireless Transmitter**  
**02AZD880G**  
List Price  
**£267.60 inc. VAT**  
**£223.00 ex. VAT**



**U-WAVE-T, IP67 Type  
Wireless Transmitter**  
**02AZD730G**  
List Price  
**£267.60 inc. VAT**  
**£223.00 ex. VAT**



**U-WAVE-T Connection Cable C**  
**Straight, with Data Button**  
**02AZD790C**

List Price

**£85.68** inc. VAT

**£71.40** ex. VAT



**Data Hold Unit**  
**959143**

List Price

**23.40** ex. VAT

**Spare parts**

**Consumable spares:**



**Battery SR44 1.5V**  
**938882**