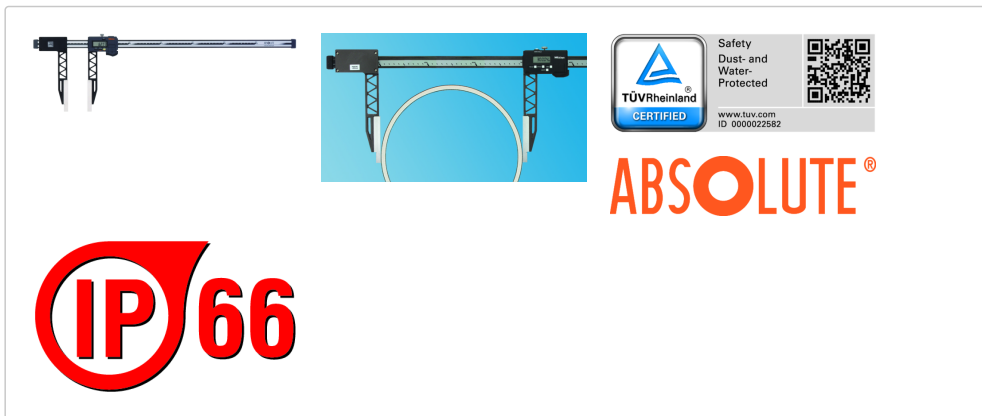


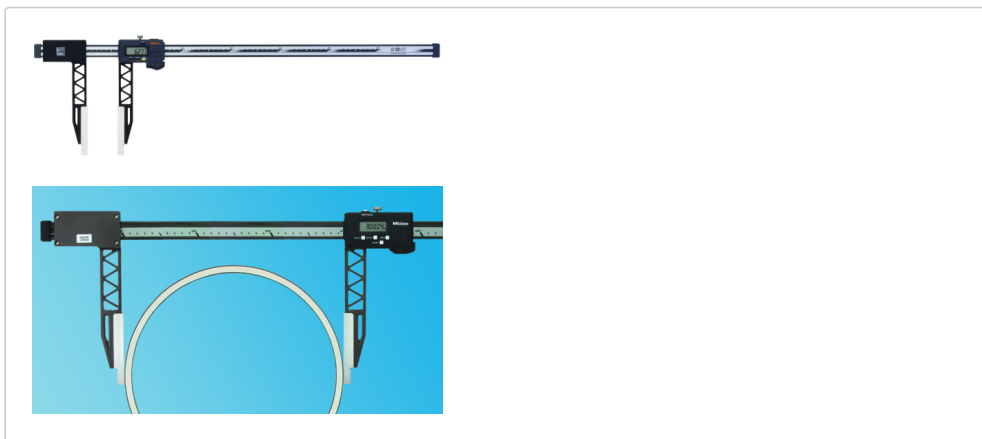


Digital ABS Carb. Fibre Caliper Long Jaw

Item number: 552-154-10



Images



Description

This is a lightweight standard model of Digimatic caliper with extra-long jaws.

It offers you the following benefits:

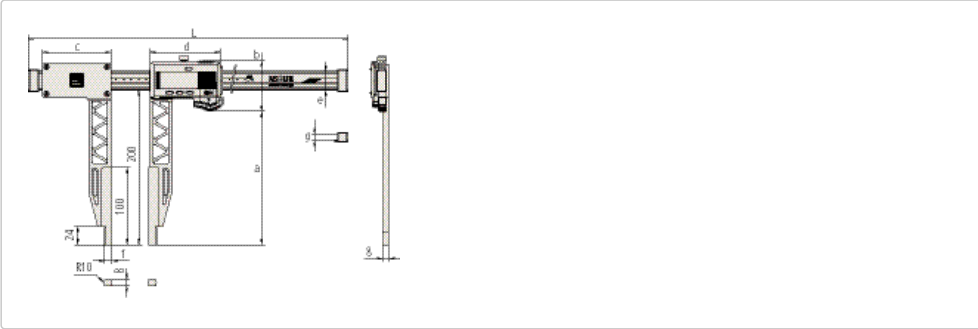
- Its ultra-lightweight design (with carbon fibre reinforced material) reduces total weight by up to 50%.
- It has excellent resistance against water and dust (IP66 protection level) enabling you to use it in machining situations that include splashing coolant fluid.
- Direct readout of inside measurements from the LCD (you can easily set the offset value by using the offset button).
- Preset function lets you set a desired starting point.

Features

DATA (output with cable) / HOLD (display value):	Yes
Inside measuring from:	20.1 mm
Max. Permissible Error E MPE:	±0,14 mm
Max. Permissible Error S MPE:	±0,14 mm
Max. response speed:	Unlimited
ORIGIN (ABS-Zero):	Yes
OFFSET:	20 mm
Auto Power OFF after 20 min. non use:	Yes
Low voltage alarm:	Yes
Data output:	Yes
Battery life:	Approx. 5000 hours

Mass: **2890 g**

Dimensions



Accessories

Optional accessories:



**Digimatic Cable with Data Button IP Type
1m, Caliper Type**
05CZA624

Suggested retail price: **98.00 €***



**Digimatic Cable with Data Button IP Type
2m, Caliper Type**
05CZA625

Suggested retail price: **104.00 €***



**USB Input Tool Direct (Digimatic USB)
Digi/Digi2, With Data Button IP Caliper Type**
06AFM380A

Suggested retail price: **138.00 €***



**U-WAVE-T, Buzzer Type
Wireless Transmitter**
02AZD880G

Suggested retail price: **183.00 €***



**U-WAVE-T, IP67 Type
Wireless Transmitter**
02AZD730G

Suggested retail price: **183.00 €***



**U-WAVE-T Connection Cable A
with Data Button IP Caliper Type**
02AZD790A

Suggested retail price: **107.00 €***

Spare parts

Consumable spares:



Battery SR44 1.5V
938882

