

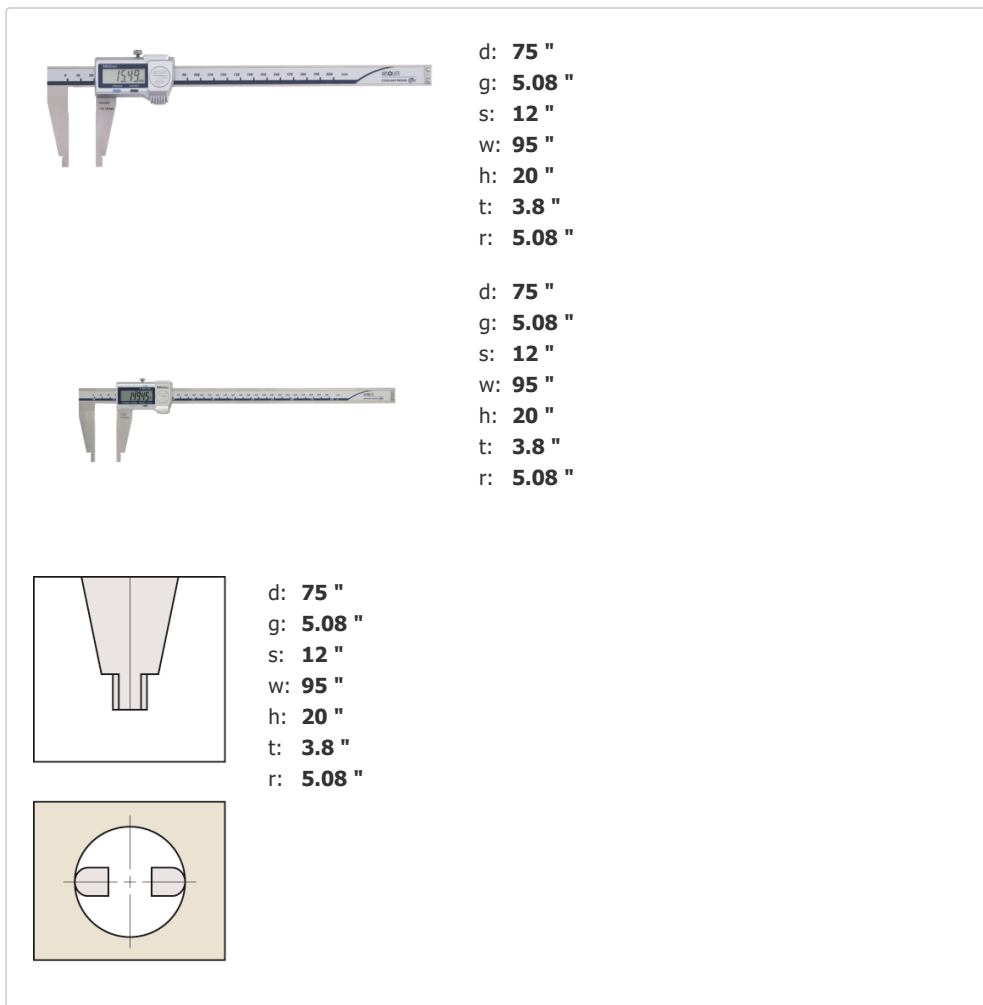
Mitutoyo

Digital ABS Caliper, Nib Style Jaws IP67

Item number: 550-341-20



Images



Description

This is a Digimatic caliper with nib-style jaws that lets you measure inside dimensions. It offers you the following benefits:

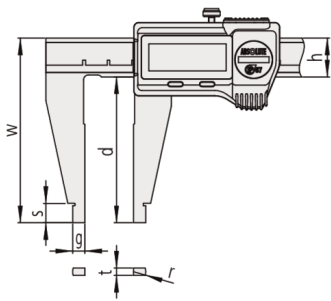
- Rounded measuring surfaces enable you to measure inside dimensions.

- ABSOLUTE System delivers reliable measurements.

Features

Digital/Analog:	Digital
Inch-Metric:	Inch/Metric
Inside measuring from:	0.404"/10.26 mm
Max. Permissible Error E MPE:	±0.002"
Max. Permissible Error S MPE:	±0.002"
Mass:	365 g
Digital step:	0,0005"/0,01 mm
Max. response speed:	Unlimited
Remarks:	IP67
Delivered:	In a case, including 1 SR-44 battery
OFFSET:	0.4"
Battery life:	Approx. 5 years, 3,5 years (>300 mm)
ORIGIN (ABS-Zero):	Yes
PRESET:	Yes
Auto Power OFF after 20 min. non use:	Yes
Low voltage alarm:	Yes
Data output:	Yes

Dimensions



d: **75 "**
 g: **5.08 "**
 s: **12 "**
 w: **95 "**
 h: **20 "**
 t: **3.8 "**
 r: **5.08 "**

Accessories

Optional accessories:



**Digimatic Cable with Data Button IP Type
1m, Caliper Type**

05CZA624

Suggested retail price: **98.00 €***



**Digimatic Cable with Data Button IP Type
2m, Caliper Type**

05CZA625

Suggested retail price: **104.00 €***



**USB Input Tool Direct (Digimatic USB)
Digi/Digi2, With Data Button IP Caliper Type**

06AFM380A

Suggested retail price: **138.00 €***



**U-WAVE fit, IP67 Type
Wireless Transmitter for Caliper**

264-620

Suggested retail price: **183.00 €***



**U-WAVE fit, Buzzer Type (not IP rated)
Wireless Transmitter for Caliper
264-621**

Suggested retail price: **183.00 €***



**U-WAVE fit Bluetooth, IP67 Type
Wireless Transmitter for Caliper
264-624**

Suggested retail price: **181.00 €***



**U-WAVE fit Bluetooth, Buzzer Type (not IP rated)
Wireless Transmitter for Caliper
264-625**

Suggested retail price: **181.00 €***



**Connection Unit, U-WAVE fit
Waterproof Type
02AZF310**

Suggested retail price: **107.00 €***

Spare parts

Consumable spares:



**Battery SR44 1.5V
938882**