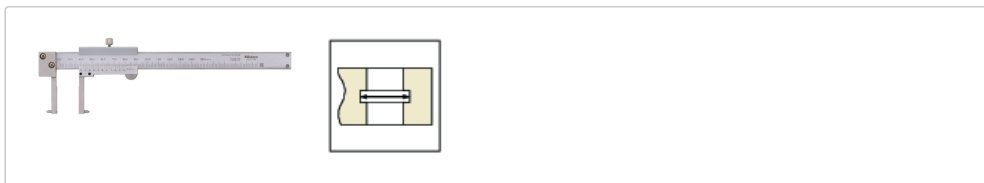


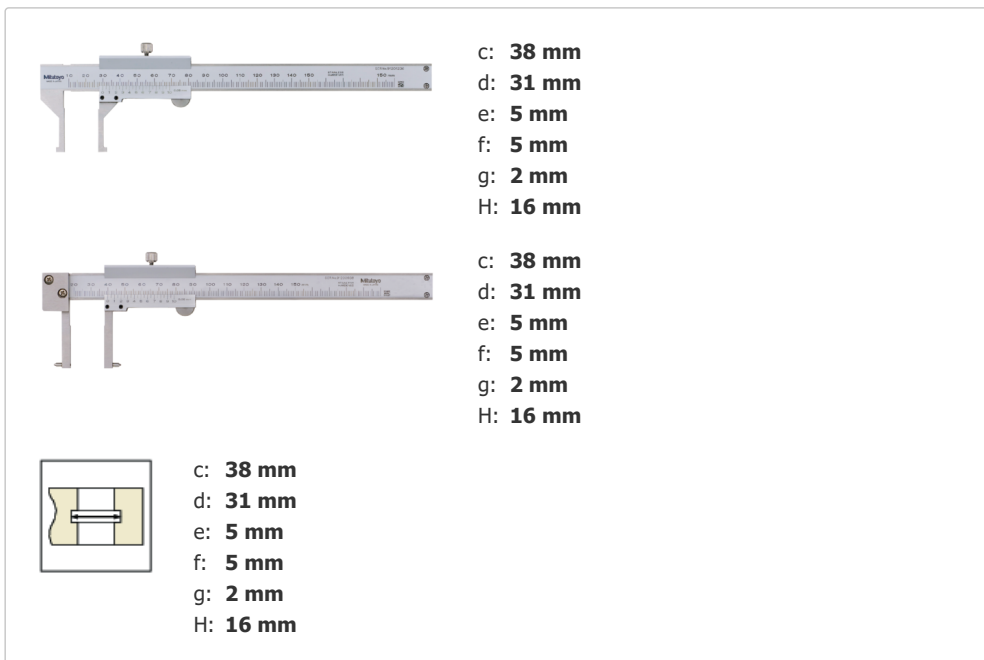


## Vernier Point Jaw Inside Caliper

Item number: 536-146



### Images



### Description

A Mitutoyo vernier caliper equipped with special pointed jaws for inside measurement only. Hardened stainless steel construction with easy-to-read, satin-chromed scales.

### Features

Max. Permissible Error S MPE:	<b>±0,05 mm</b>
Graduation:	<b>0,05 mm</b>
Mass:	<b>140 g</b>

### Dimensions

