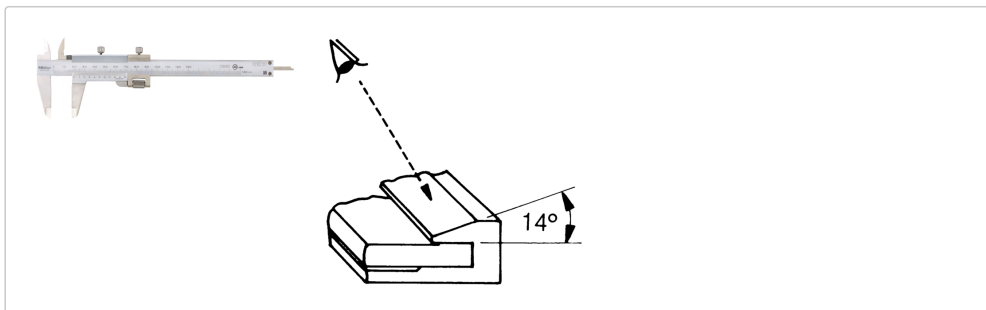


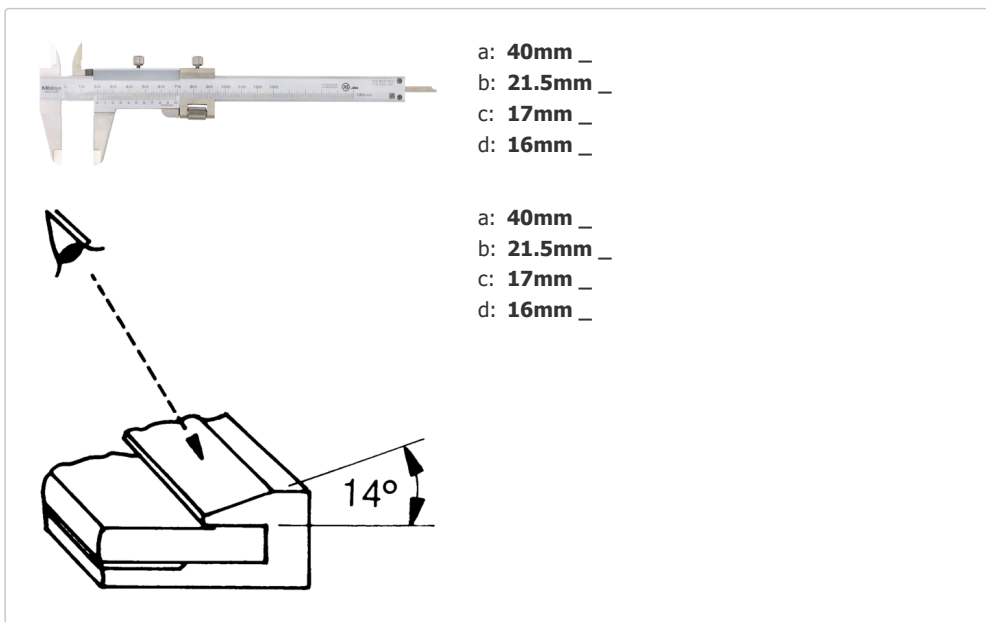


Vernier caliper, fine adjustment device

Article number: 532-101



Pictures



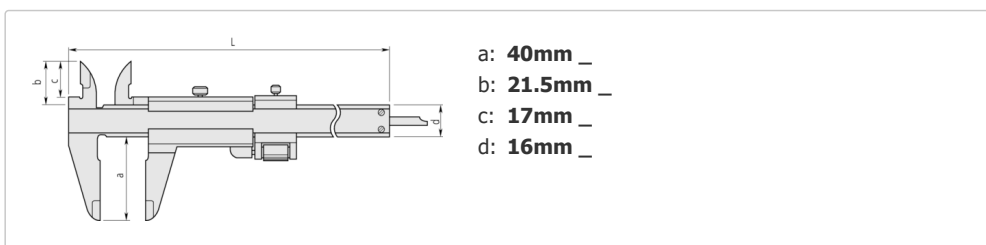
Description

This is a vernier caliper with fine adjustment for easy caliper positioning

specifications

Depth Gauge:	flat
Limit of measurement error E MPE:	±0.03mm
Limit value of the measurement deviation S MPE:	±0.05mm
Scope of delivery:	Delivery in a box
Weight:	165g _

Dimensions



Accessories

Standard accessories:



**Depth measuring bridge for vernier calipers, 75 mm wide
75 mm width for 100, 150, 200 mm measuring range
050083-10
RRP: € 58.00 ***



**Depth measuring bridge for vernier calipers
100 mm width for 100, 150, 200 mm measuring range
050084-10
RRP: € 65.00 ***