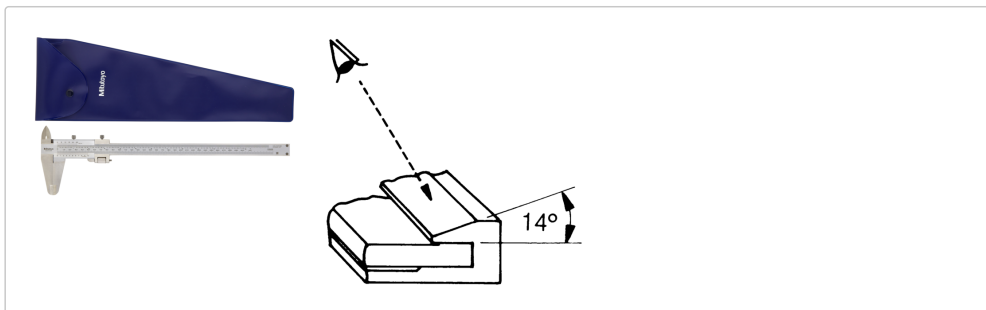


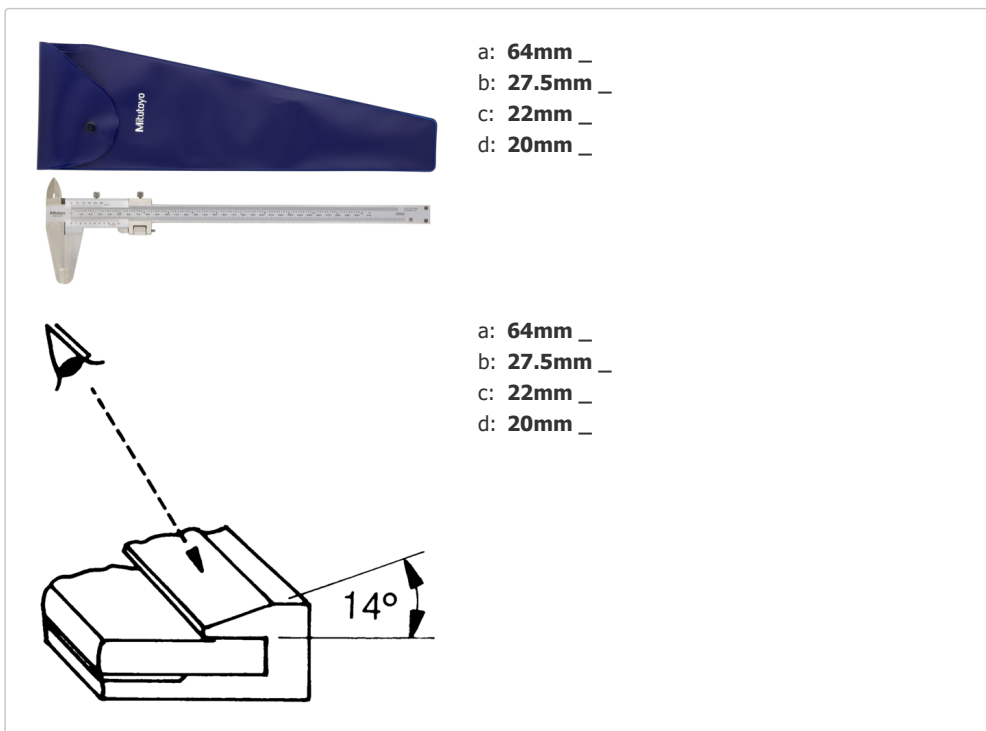


## Vernier caliper, fine adjustment device

Article number: 532-121



### Pictures



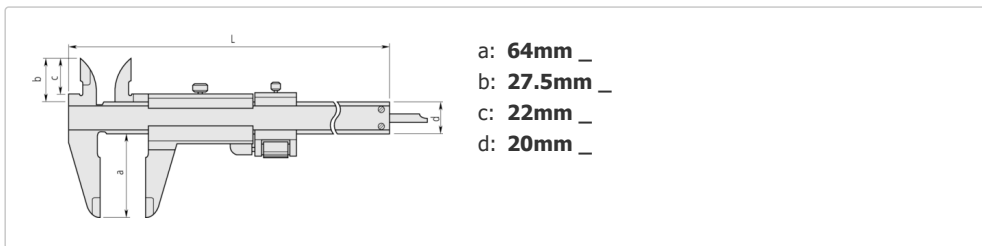
### Description

A Mitutoyo dual scale caliper with fine adjustment and standard jaws for measuring outside and inside dimensions. Hardened steel and easy to read satin chrome plated scales.

### specifications

Depth Gauge:	<b>flat</b>
Limit of measurement error E MPE:	<b>±0.04mm</b>
Limit value of the measurement deviation S MPE:	<b>±0.06mm</b>
Scope of delivery:	<b>Delivery in a box</b>
Weight:	<b>395g _</b>

### Dimensions



## Accessories

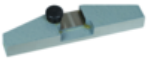
### Special accessories:



**Depth measuring bridge for vernier calipers, 75 mm wide**  
**75 mm width for 100, 150, 200 mm measuring range**  
**050083-10**  
 RRP: € 58.00 \*



**Depth measuring bridge for vernier calipers**  
**100 mm width for 100, 150, 200 mm measuring range**  
**050084-10**  
 RRP: € 65.00 \*



**Depth measuring bridge for vernier calipers**  
**125 mm width for 300 mm measuring range**  
**050085-10**  
 RRP: € 72.00 \*