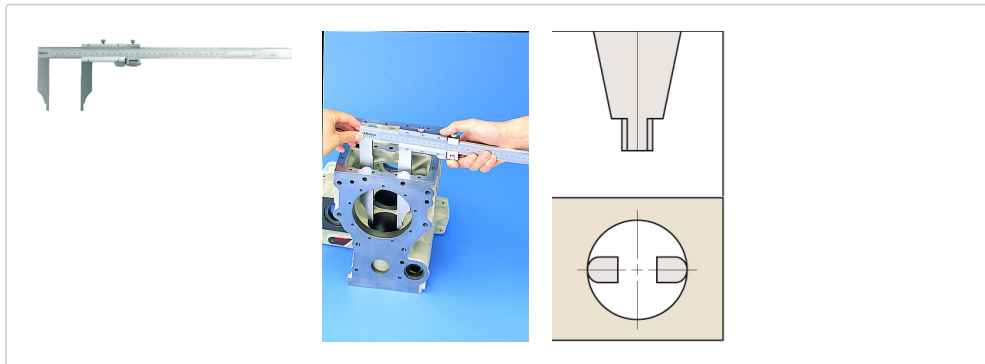
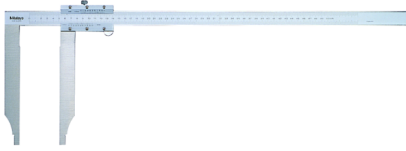




**Vernier caliper, long measuring jaws,  
fine adjustment device**  
Article number: 534-105



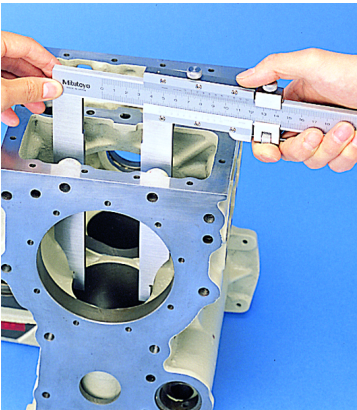
**Pictures**



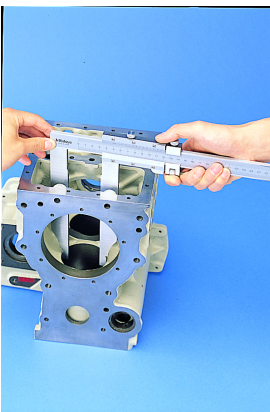
L: 445mm \_  
f: 3.8mm \_  
D: 90mm \_  
E: 103mm \_  
Q: 38mm \_  
H: 20mm \_  
r: 5mm \_  
M: 7mm \_  
S: 12mm \_  
t: 3.8mm \_



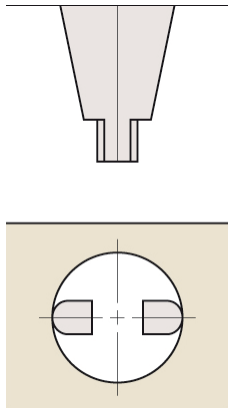
L: 445mm \_  
f: 3.8mm \_  
D: 90mm \_  
E: 103mm \_  
Q: 38mm \_  
H: 20mm \_  
r: 5mm \_  
M: 7mm \_  
S: 12mm \_  
t: 3.8mm \_



L: 445mm \_  
f: 3.8mm \_  
D: 90mm \_  
E: 103mm \_  
Q: 38mm \_  
H: 20mm \_  
r: 5mm \_  
M: 7mm \_  
S: 12mm \_  
t: 3.8mm \_



L: 445mm \_  
f: 3.8mm \_  
D: 90mm \_  
E: 103mm \_  
Q: 38mm \_  
H: 20mm \_  
r: 5mm \_  
M: 7mm \_  
S: 12mm \_  
t: 3.8mm \_



L: **445mm** \_  
 f: **3.8mm** \_  
 D: **90mm** \_  
 E: **103mm** \_  
 Q: **38mm** \_  
 H: **20mm** \_  
 r: **5mm** \_  
 M: **7mm** \_  
 S: **12mm** \_  
 t: **3.8mm** \_

## Description

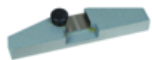
A Mitutoyo dual scale caliper with fine adjustment facility and long rounded calipers. Hardened steel and easy to read satin chrome plated scales.

## specifications

|   |                          |
|---|--------------------------|
| Graduation value:                           | <b>0.02mm/ 0.001"</b>    |
| Inside measurement of:                      | <b>10.1mm</b>            |
| Limit of measurement error E MPE:           | <b>±0.04mm</b>           |
| Limit value of the measurement error S MPE: | <b>±0.04mm</b>           |
| Scope of delivery:                          | <b>Delivery in a box</b> |
| Weight:                                     | <b>400g</b> _            |

## Accessories

### Recommended product:



**Depth measuring bridge for vernier calipers**  
**125 mm width for 300 mm measuring range**  
**050085-10**  
 RRP: € 72.00 \*